

CTH3 315 M4 0,25KW ATEX Zone 1: FAN (Ex h IIB+H2 T4 Gb) + MOTOR (Ex db IIC T5 Gb) (279310103XD)

GENERAL DATA



ROOF FAN, ABS COWL ATEX

MANUFACTURING FEATURES

- Roof cowl made of ABS
- Structure, roof base support and bird protection guard made of galvanised steel.
- High efficiency backward impeller with self-cleaning system of steel.
- ATEX standard asynchronous motor. ATEX certified according to the zone.. IP55 protection and class F insulation. Manufactured with standard voltages: 230/400V 50Hz in three phase motors up to 4kW and 400/690V 50Hz for higher powers.

APPLICATIONS

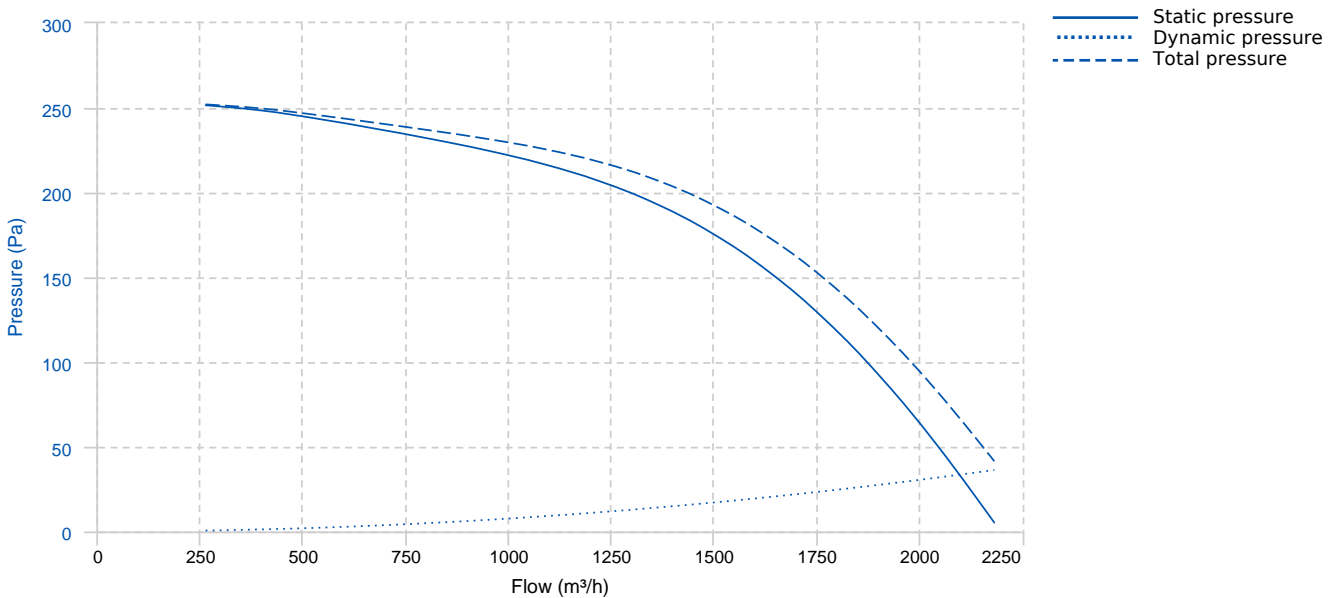
Ventilation in indoor environments classified as ATEX. Specially designed for roof installation, they are suitable for:

- Smoke extraction.
- Smoke emergency exhaust with motor outside the hazardous area.
- Air renewal in buildings and industries.
- Industrial and professional kitchen hoods.
- Working temperature: ambient from -20°C to 40°C, transported air according to the ATEX classification.

UNDER REQUEST

- 60Hz and special voltages.

PERFORMANCE CURVE



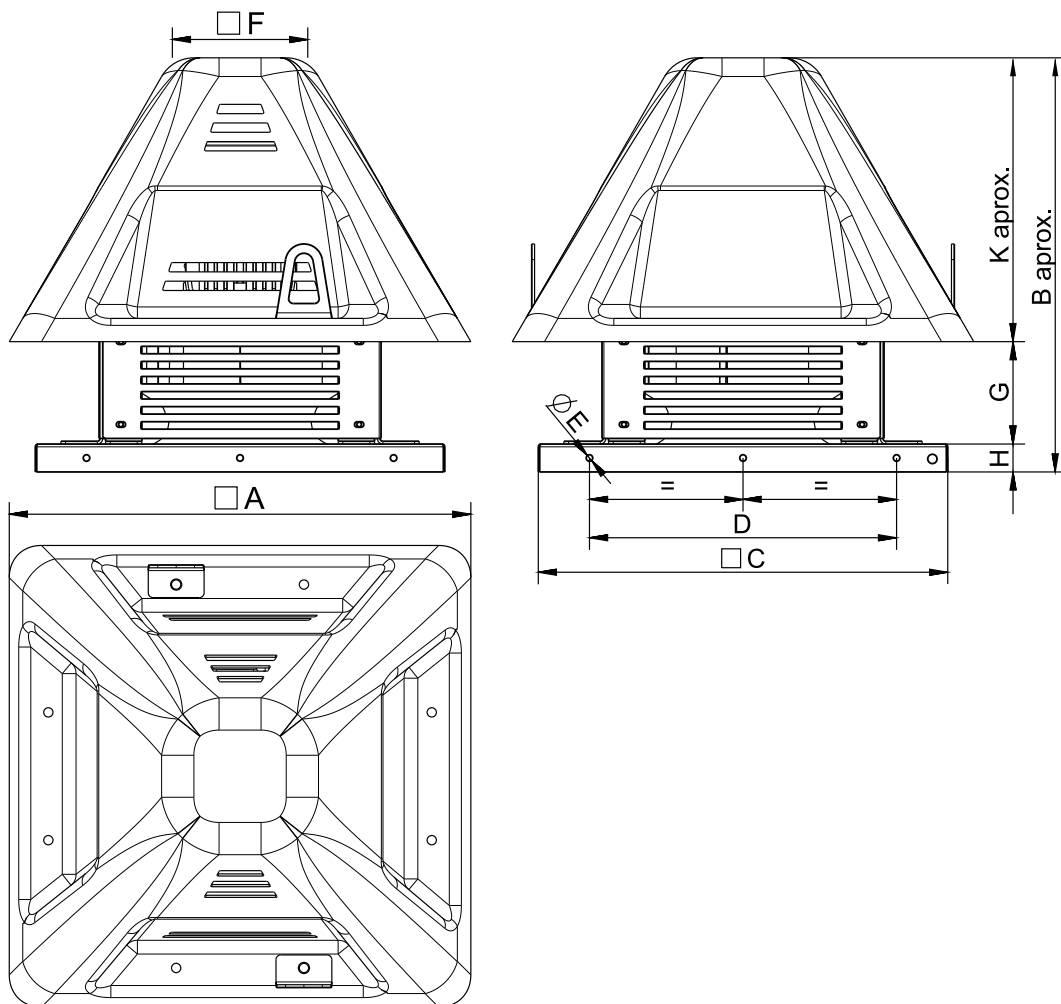
TECHNICAL DATA

Fan							
RPM	1400	Approx. weight	15 kg	Max. Flow	2190 m³/h		
Motor							
Power	0,25 kW	RPM	1400	I max. (230V)	1,93 A	Size	71

Motor

Approx. weight	5.5 kg	Efficiency (%)	61 %	FP	0.92
----------------	--------	----------------	------	----	------

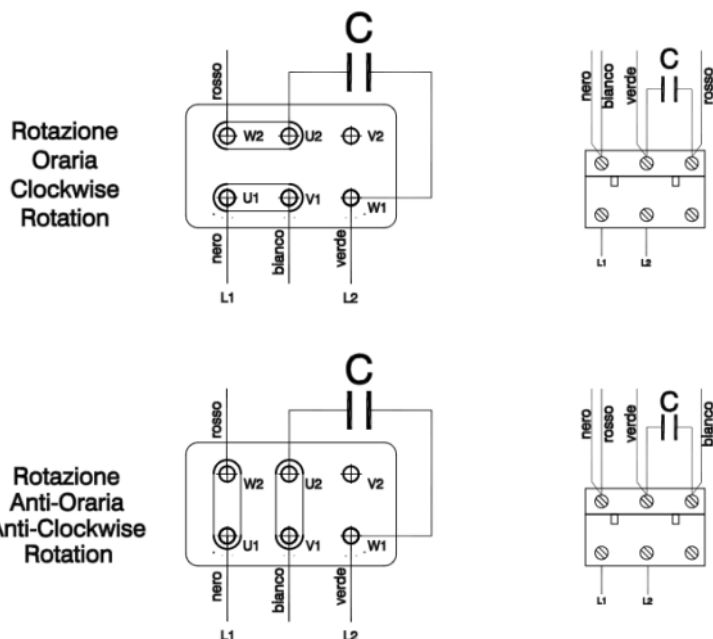
DIMENSIONS



Dimensions (mm)

A	616	B aprox	548	C	595	D	450	E	9
F	240,2	G	183	H	40	K aprox	325		

WIRING DIAGRAM



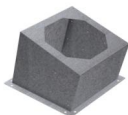
ACCESSORIES



SAFETY SWITCH
INT 25 3P A
REF: INT253PA



ATEX SWITCH
INT 16 ATEX
REF: 510200016X



INCLINED ROOF FAN SUPPORT
BTI 570
REF: A-50870570XX

SPARE PARTS



	Code	Model	Qty
1	R-279284479	ROOF COWL CTH3 280-315	x1
3	R-279319381	TURBINE THRE R63B1 315X90x14 RD	x1